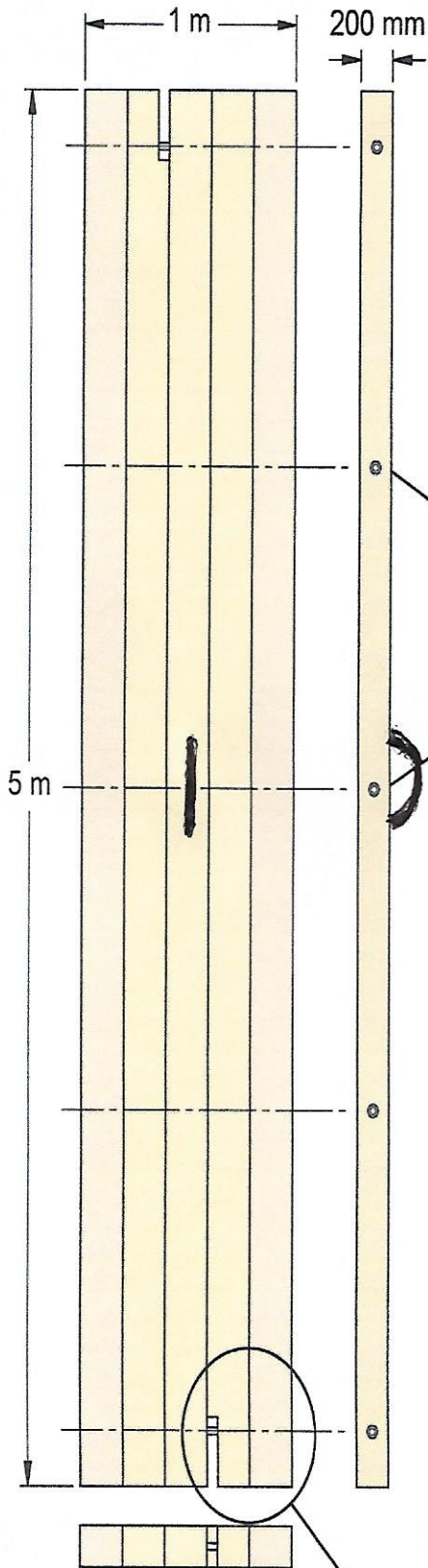


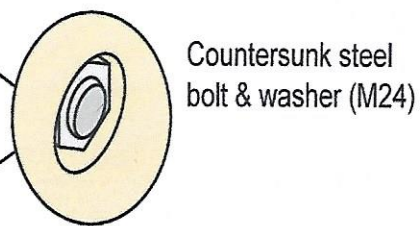
200mm x 1m x 5m EU Hardwood (D30) & Tropical Hardwood Mat



Timber mats are constructed from either oak or tropical hardwoods.

Our 200mm mats are capable of carrying up to 65 Tonnes (UDL) per mat on reasonably flat ground.

NB Carrying capacities are estimated & subject to ground conditions.

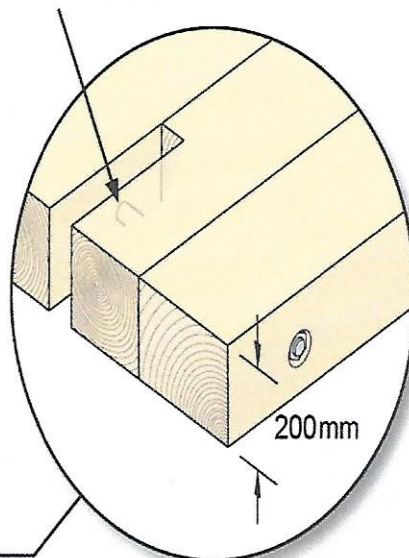


Countersunk steel bolt & washer (M24)

Wire rope 25mm thick

Lifting Point

M24 steel bar



200mm